

系统优化升级

QY30K5

SYSTEMIC OPTIMIZATION & UPGRADE

最大起重能力

Max. Total Rated Lifting Load



30t

主臂最大起升高度

Full-extend Boom Lifting Height



38.7m

副臂最大起升高度

Full-extend Boom+Jib Lifting Height



47.6m



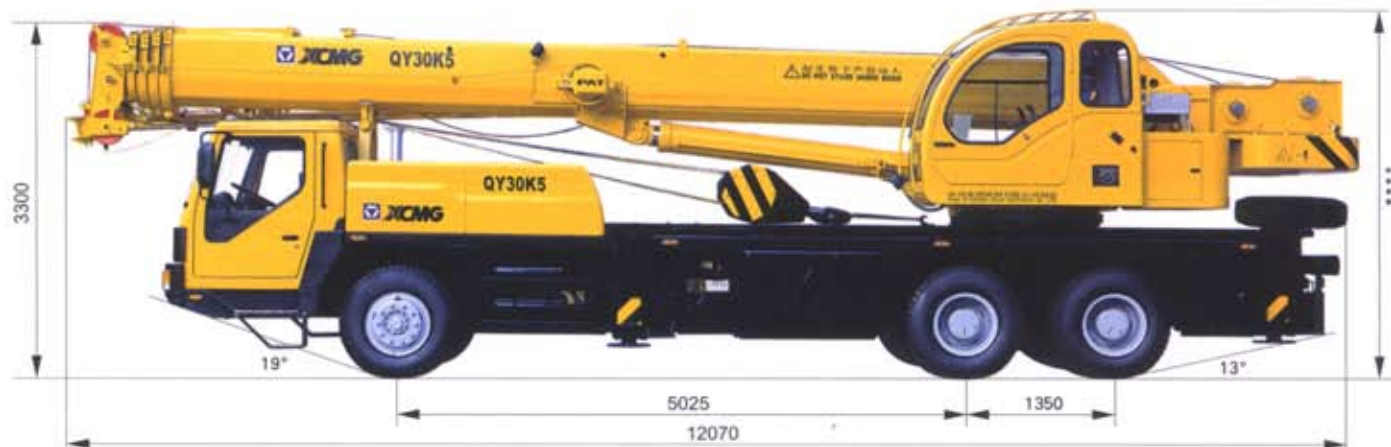
The Series of Construction Crane

全地面起重机 汽车起重机 履带式起重机

All-Terrain Crane Series Truck Crane Series Crawler Crane Series

QY30K5 全液压汽车起重机

外形尺寸 Dimensions



尺寸参数 Dimensions

整机全长 Overall length	12070mm
整机全宽 Overall width	2500mm
整机全高 Overall height	3390mm



重量参数 Weight

行驶状态整机自重 Dead weight in travel state	32400kg
轴荷 Axle load	
前轴 Front axle	7000kg
后轴 Rear axle	25400kg



动力参数 Power

发动机型号 Engine model	
发动机额定功率 Engine rated power(6CL280-2/SC8DK280Q3)	206kW/(r/min)
发动机额定扭矩 Engine rated torque(6CL280-2/SC8DK280Q3)	1170(1112)N.m/(r/min)
发动机额定转速 Engine rated speed(6CL280-2/SC8DK280Q3)	2200r/min



行驶参数 Travel

最高行驶速度 Max.travel speed	75km/h
最小转弯直径 Min.turning diameter	22m
最小离地间隙 Min.ground clearance	291mm
接近角 Approach angle	19°
离去角 Departure angle	13°
制动距离(车速为30km/h) Braking distance(travel speed at 30km/h)	< 10m
最大爬坡度 Max.gradeability	30%
百公里油耗 Fuel consumption of per 100km	40L



主要性能参数 Lifting performance

最大额定总起重量 Max.total rated lifting load	30t
最小额定幅度 Min.rated working radius	3m
转台尾部回转半径 Min. swing radius at counterweight tail	3065mm
最大起重力矩 Max.load moment	
基本臂 Base boom	1025kN.m
最长主臂 Fully-extended boom	460kN.m
支腿距离 Outrigger span	
纵向/横向 Longitudinal distance/Lateral distance	5.85/6.0m
起升高度 Lifting height	
基本臂 Base boom	10.1m
最长主臂 Fully-extended boom	38.7m
最长主臂 + 副臂 Fully-extended boom + Jib	47.6m
起重臂长度 Boom length	
基本臂 Base boom	10.1m
最长主臂 Fully-extended boom	38.5m
最长主臂 + 副臂 Fully-extended boom + Jib	46.8m



工作速度参数 Working speed

起重臂全程起臂 Boom raising	68s
起重臂伸缩时间 Boom telescoping time	
全伸/全缩 Fully-extending/Fully-retracting	150/140s
最大回转速度 Max.swing speed	2.5r/min
支腿伸缩时间 Outrigger extending and retracting time	
水平支腿同时伸/缩 Outrigger beam extending/retracting synchronously	35/30s
垂直支腿同时伸/缩 Outrigger jack extending/retracting synchronously	40/35s
起升速度(单绳) Hoisting speed(single line)	
主起升机构满载/空载 Main winch with full load/no load	75/120r/min
副起升机构满载/空载 Auxiliary winch with full load/no load	75/120r/min

QY30K5 全液压汽车起重机



主臂起重性能表 Total rated lifting load for boom (表一 Table 1)

(支腿全伸侧后方作业, 支腿横向跨距: 6.0m)(Outrigger fully extend 6.0m)

10.1~38.5m主臂性能 (全伸支腿侧后方作业) 支腿横向跨距: 6.0m 10.1~38.5m Boom(Outrigger fully extend and boom over side or rear)Outrigger span: 6.0m																					
工作幅度 Working radius (m)	10.1m			13.65m			17.2m			22.52m			27.85m			33.18m			38.5m		
	起重量 Lifting Load (kg)	主臂仰角 Boom Angle (°)	起升高度 Lifting Height (m)	起重量 Lifting Load (kg)	主臂仰角 Boom Angle (°)	起升高度 Lifting Height (m)	起重量 Lifting Load (kg)	主臂仰角 Boom Angle (°)	起升高度 Lifting Height (m)	起重量 Lifting Load (kg)	主臂仰角 Boom Angle (°)	起升高度 Lifting Height (m)	起重量 Lifting Load (kg)	主臂仰角 Boom Angle (°)	起升高度 Lifting Height (m)	起重量 Lifting Load (kg)	主臂仰角 Boom Angle (°)	起升高度 Lifting Height (m)	起重量 Lifting Load (kg)	主臂仰角 Boom Angle (°)	起升高度 Lifting Height (m)
3	30000	67	10.1	25000	74	14.0															
3.5	28000	64	9.9	23500	72	13.8															
4	25300	61	9.6	21500	69	13.6	18000	74	17.4												
5	20500	54	8.9	18500	65	13.1	15800	71	17.0	11400	76	22.6	9500	79	28.2						
6	16500	46	7.9	16000	60	12.5	13000	67	16.6	10400	73	22.3	8400	77	27.9	6600	80	33.4			
7	13500	37	6.7	13000	55	11.8	11500	63	16.1	9400	70	22.0	7600	75	27.6	6000	78	33.2	5000	80	38.7
8	10800	25	4.8	10800	49	11.0	10600	59	15.5	8500	68	21.5	7300	73	27.3	5600	76	32.9	4600	79	38.4
9				8700	43	9.9	8600	55	14.8	7800	65	21.0	6600	71	26.9	5300	74	32.6	4300	77	38.2
10				7200	36	8.6	7100	51	13.9	7100	62	20.5	6100	68	26.5	4900	73	32.2	4000	76	37.9
11				6000	27	6.8	5900	46	13.0	6500	59	19.9	5600	66	26.0	4600	71	31.8	3800	74	37.5
12							5000	41	11.8	5500	56	19.2	5200	64	25.5	4300	69	31.4	3500	72	37.2
13							4200	36	10.5	4800	53	18.4	4700	61	24.9	4000	67	31.0	3370	71	36.8
14							3600	29	8.7	4100	49	17.5	4260	59	24.3	3700	65	30.5	3160	69	36.4
15							3000	20	6.2	3600	46	16.5	3900	56	23.6	3400	63	29.9	2960	68	35.9
16										3100	42	15.4	3500	54	22.8	3100	61	29.3	2850	66	35.4
18										2400	33	12.5	2700	48	21.0	2720	57	28.0	2550	63	34.3
20										1800	21	8.1	2100	42	18.9	2300	52	26.4	2160	59	33.1
22													1600	35	16.2	1800	48	24.6	1820	55	31.7
24													1200	27	12.5	1500	43	22.4	1450	52	30.0
26																1100	37	19.8	1220	47	28.1
28																900	30	16.4	1000	43	25.9
30																600	21	11.8	800	38	23.3
32																			600	26	20.2
倍率 Ratio of the	10			10			6			5			4			3			3		



主臂起重性能表 Total rated lifting load for boom (表一 Table 1)

(支腿全伸360°作业, 支腿横向跨距: 6.0m)(Outrigger fully extend 6.0m)

10.1~38.5m主臂性能 (全伸支腿360°作业) 支腿横向跨距: 6.0m 10.1~38.5m Boom(Outrigger fully extend and 360° full swing)Outrigger span: 6.0m																					
工作幅度 Working radius (m)	10.1m			13.65m			17.2m			22.52m			27.85m			33.18m			38.5m		
	起重量 Lifting Load (kg)	主臂仰角 Boom Angle (°)	起升高度 Lifting Height (m)	起重量 Lifting Load (kg)	主臂仰角 Boom Angle (°)	起升高度 Lifting Height (m)	起重量 Lifting Load (kg)	主臂仰角 Boom Angle (°)	起升高度 Lifting Height (m)	起重量 Lifting Load (kg)	主臂仰角 Boom Angle (°)	起升高度 Lifting Height (m)	起重量 Lifting Load (kg)	主臂仰角 Boom Angle (°)	起升高度 Lifting Height (m)	起重量 Lifting Load (kg)	主臂仰角 Boom Angle (°)	起升高度 Lifting Height (m)	起重量 Lifting Load (kg)	主臂仰角 Boom Angle (°)	起升高度 Lifting Height (m)
3	30000	67	10.1	25000	74	14.0															
3.5	28000	64	9.9	23500	72	13.8															
4	25300	61	9.6	21500	69	13.6	18000	74	17.4												
5	20500	54	8.9	18500	65	13.1	15800	71	17.0	11400	76	22.6	9500	79	28.2						
6	16500	46	7.9	16000	60	12.5	13000	67	16.6	10400	73	22.3	8400	77	27.9	6600	80	33.4			
7	13500	37	6.7	13000	55	11.8	11500	63	16.1	9400	70	22.0	7600	75	27.6	6000	78	33.2	5000	80	38.7
8	10800	25	4.8	10800	49	11.0	10600	59	15.5	8500	68	21.5	7300	73	27.3	5600	76	32.9	4600	79	38.4
9				8700	43	9.9	8600	55	14.8	7800	65	21.0	6600	71	26.9	5300	74	32.6	4300	77	38.2
10				7200	36	8.6	7100	51	13.9	7100	62	20.5	6100	68	26.5	4900	73	32.2	4000	76	37.9
11				6000	27	6.8	5900	46	13.0	6500	59	19.9	5600	66	26.0	4600	71	31.8	3800	74	37.5
12							5000	41	11.8	5500	56	19.2	5200	64	25.5	4300	69	31.4	3500	72	37.2
13							4200	36	10.5	4800	53	18.4	4700	61	24.9	4000	67	31.0	3370	71	36.8
14							3600	29	8.7	4100	49	17.5	4260	59	24.3	3700	65	30.5	3160	69	36.4
15							3000	20	6.2	3600	46	16.5	3900	56	23.6	3400	63	29.9	2960	68	35.9
16										3100	42	15.4	3500	54	22.8	3100	61	29.3	2850	66	35.4
18										2300	33	12.5	2700	48	21.0	2720	57	28.0	2550	63	34.3
20										1700	21	8.1	2000	42	18.9	2300	52	26.4	2160	59	33.1
22													1500	35	16.2	1800	48	24.6	1820	55	31.7
24													1100	27	12.5	1300	43	22.4	1450	52	30.0
26																1000	37	19.8	1200	47	28.1
28																700	30	16.4	900	43	25.9
30																600	21	11.8	800	38	23.3
倍率 Ratio of the	10			10			6			5			4			3			3		



主臂起重性能表 Total rated lifting load for boom (表一 Table 1)

(支腿半伸360°作业, 支腿横向跨距: 4.8m)(Outrigger half extend 4.8m)

10.1~38.5m主臂性能 (半伸支腿360°作业) 支腿横向跨距: 4.8m 10.1~38.5m Boom(Outrigger half extend and 360° full swing)Outrigger span: 4.8m																					
工作幅度 Working radius (m)	10.1m			13.65m			17.2m			22.52m			27.85m			33.18m			38.5m		
	起重量 Lifting Load (kg)	主臂仰角 Boom Angle (°)	起升高度 Lifting Height (m)	起重量 Lifting Load (kg)	主臂仰角 Boom Angle (°)	起升高度 Lifting Height (m)	起重量 Lifting Load (kg)	主臂仰角 Boom Angle (°)	起升高度 Lifting Height (m)	起重量 Lifting Load (kg)	主臂仰角 Boom Angle (°)	起升高度 Lifting Height (m)	起重量 Lifting Load (kg)	主臂仰角 Boom Angle (°)	起升高度 Lifting Height (m)	起重量 Lifting Load (kg)	主臂仰角 Boom Angle (°)	起升高度 Lifting Height (m)	起重量 Lifting Load (kg)	主臂仰角 Boom Angle (°)	起升高度 Lifting Height (m)
3	30000	67	10.1	25000	74	14.0															
3.5	28000	64	9.9	23500	72	13.8															
4	25300	61	9.6	21500	69	13.6	18000	74	17.4												
5	20500	54	8.9	18500	65	13.1	15800	71	17.0	11400	76	22.6	9500	79	28.2						
6	15400	46	7.9	15200	60	12.5	13000	67	16.6	10400	73	22.3	8400	77	27.9	6600	80	33.4			
7	11400	37	6.7	11200	55	11.8	11000	63	16.1	9400	70	22.0	7600	75	27.6	6000	78	33.2	5000	80	38.7
8	8800	25	4.8	8700	49	11.0	8500	59	15.5	8500	68	21.5	7300	73	27.3	5600	76	32.9	4600	79	38.4
9				8900	43	9.9	6700	55	14.8	7300	65	21.0	6600	71	26.9	5300	74	32.6	4300	77	38.2
10				5600	36	8.6	5400	51	13.9	6000	62	20.5	6100	68	26.5	4900	73	32.2	4000	76	37.9
11				4500	27	6.8	4400	46	13.0	5000	59	19.9	5300	66	26.0	4600	71	31.8	3800	74	37.5
12							3600	41	11.8	4200	56	19.2	4500	64	25.5	4300	69	31.4	3500	72	37.2
13							2900	36	10.5	3500	53	18.4	3900	61	24.9	4000	67	31.0	3370	71	36.8
14							2400	29	8.7	3000	49	17.5	3300	59	24.3	3500	65	30.5	3160	69	36.4
15							1900	20	6.2	2500	46	16.5	2800	56	23.6	3100	63	29.9	2960	68	35.9
16										2100	42	15.4	2400	54	22.8	2700	61	29.3	2800	66	35.4
18										1500	33	12.5	1800	48	21.0	2000	57	28.0	2200	63	34.3
20										1000	21	8.1	1300	42	18.9	1500	52	26.4	1700	59	33.1
22													900	35	16.2	1100	48	24.6	1300	55	31.7
24															800	43	22.4	900	52	30.0	
26																		700	47	28.1	
倍率 Rate of lift	10			10			6			5			4			3			3		



副臂起重性能表 Total rated lifting load for jib (表二 Table 2)

(全伸支腿)(Outrigger fully extend)

全伸水平支腿 360° 全回转作业 Outrigger beam fully extend, 360° full swing									
主臂长度(Boom length)38.5m, 副臂长度(Jib length)8.3m									
主臂仰角 Boom angle (°)	副臂安装角 (Jib offset) 0°			副臂安装角 (Jib offset) 15°			副臂安装角 (Jib offset) 30°		
	起重量 Lifting Load (kg)	工作幅度 Working radius (m)	起升高度 Lifting Height (m)	起重量 Lifting Load (kg)	工作幅度 Working radius (m)	起升高度 Lifting Height (m)	起重量 Lifting Load (kg)	工作幅度 Working radius (m)	起升高度 Lifting Height (m)
78	2800	10.7	47.6	2500	12.1	47.2	1900	13.4	46.1
75	2800	13.1	47.3	2400	14.4	46.4	1750	15.6	45.2
72	2750	15.3	46.4	2200	16.7	45.5	1700	17.8	44.2
70	2650	16.8	45.8	2100	18.2	44.8	1600	19.3	43.5
65	2150	20.4	44.1	1800	21.7	42.9	1500	22.7	41.5
60	1800	23.9	42.1	1600	25.1	40.8	1400	26.1	39.2
55	1200	27.2	39.7	1140	28.3	38.3	1050	29.1	36.6
50	800	30.2	37.1	750	31.3	35.6	700	31.9	33.8
40	280	35.6	31.1	260	36.4	29.4	250	36.8	27.6
吊钩重量 Hook block weight	55kg								

注:

- ◆表中额定总起重量值,是在平整的坚固地面上本起重机能够保证的最大总起重量;
- ◆表中额定总起重量包括吊钩和吊具的重量;
- ◆表中的工作幅度为起吊重物离地时的幅度,是包括吊臂变形量在内的实际值,因而起吊前应考虑吊臂变形量;
- ◆只允许在7级风以下进行作业;
- ◆表中的主臂仰角和起升高度为参考值,作业时应以工作幅度为准;
- ◆臂端滑轮的性能与主臂性能相同,但最大起重量不得超过2,800kg;
- ◆当副臂处于作业状态而使用主臂吊重时,主臂额定起重量至少应减少500kg。
- ◆作业前,必须全伸二节臂后再伸三、四、五节臂,全缩三、四、五节臂后再缩二节臂。
- ◆主、副卷扬的最大单绳拉力为33,500N。主卷扬钢丝绳长度为165m,副卷扬为105m。
- ◆最大支腿反力为: 330,000N。

(半伸支腿)(Outrigger half extend)

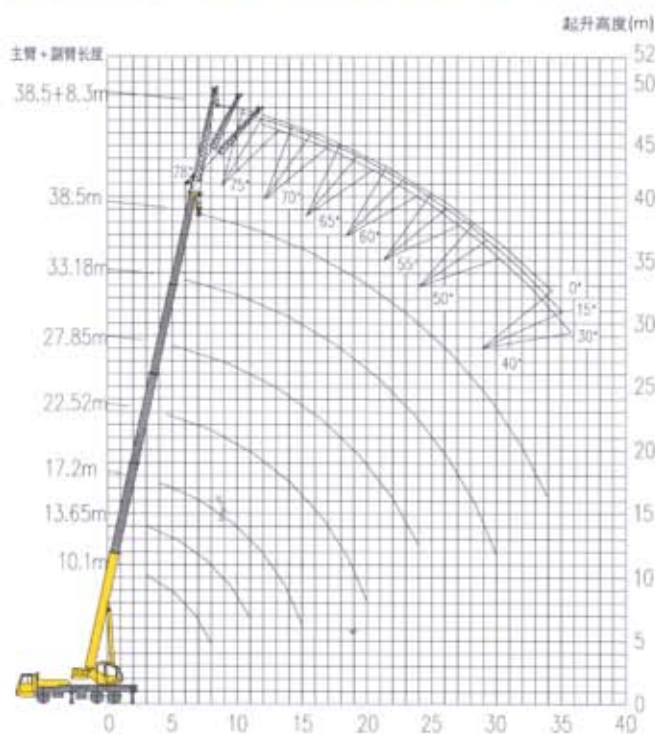
半伸水平支腿360° 全回转作业 Outrigger half extend, 360° full swing									
主臂长度(Boom length)38.5m, 副臂长度(Jib length)8.3m									
主臂仰角 Boom angle (°)	副臂安装角 (Jib offset) 0°			副臂安装角 (Jib offset) 15°			副臂安装角 (Jib offset) 30°		
	起重量 Lifting Load (kg)	工作幅度 Working radius (m)	起升高度 Lifting Height (m)	起重量 Lifting Load (kg)	工作幅度 Working radius (m)	起升高度 Lifting Height (m)	起重量 Lifting Load (kg)	工作幅度 Working radius (m)	起升高度 Lifting Height (m)
78	2800	10.7	47.6	2500	12.1	47.2	1900	13.4	46.1
75	2800	13.1	47.3	2400	14.4	46.4	1750	15.6	45.2
72	2750	15.3	46.4	2200	16.7	45.5	1700	17.8	44.2
70	2550	16.8	45.8	2100	18.2	44.8	1600	19.3	43.5
65	1470	20.4	44.1	1320	21.7	42.9	1220	22.7	41.5
60	790	23.9	42.1	730	25.1	40.8	680	26.1	39.2
55	350	27.2	39.7	320	28.3	38.3	300	29.1	36.6
吊钩重量 Hook block weight	55kg								

Notes:

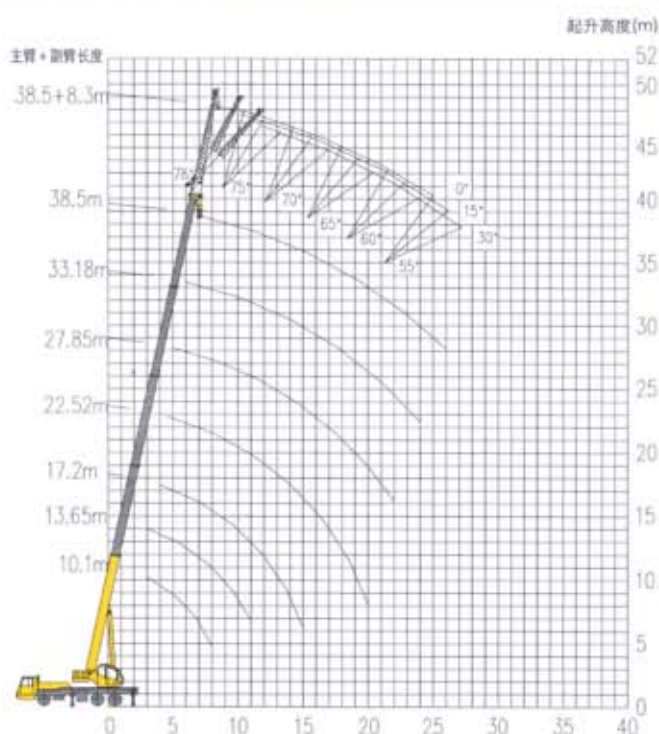
- ◆The data given in the tables are the maximum lifting capacity when the crane is set up on level and firm ground.
- ◆The total rated lifting loads include the weight of hook block and slings.
- ◆The working radii in the tables are the actual values including the deflection of boom under load.
- ◆The lifting operation is only permissible under the condition of wind force 7.
- ◆The lifting height in the tables is for reference, and lifting operation should be according to the working radius.
- ◆The total rated lifting load for single top is the same as those for main boom, but the max. lifting load must not exceed 2800 kg.
- ◆When using boom for lifting but with jib attached, the total rated load for boom should be deducted at least 500 kg.
- ◆Before lifting, first extend fully the 2nd boom section, then the 3rd, 4th and 5th boom sections. After lifting, first retract the 3rd, 4th and 5th boom sections, then the 2nd boom section.
- ◆The max. single line pull for main and auxiliary winches is 33,500N. The main winch rope length is 165m and the auxiliary winch rope length is 105m.
- ◆The max. supporting force for outrigger is 330,000N.

FULL HYDRAULIC TRUCK CRANE

QY30K5 起重机起升高度曲线图 QY30K5 Lifting height curves

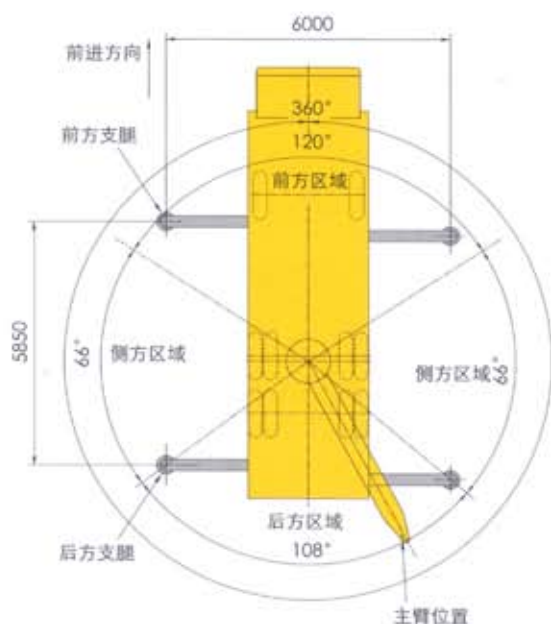


工作幅度 Working radius(m)
▲ 起升高度曲线(全伸支腿)
Crane Lifting Height Curves (Outrigger fully extend)

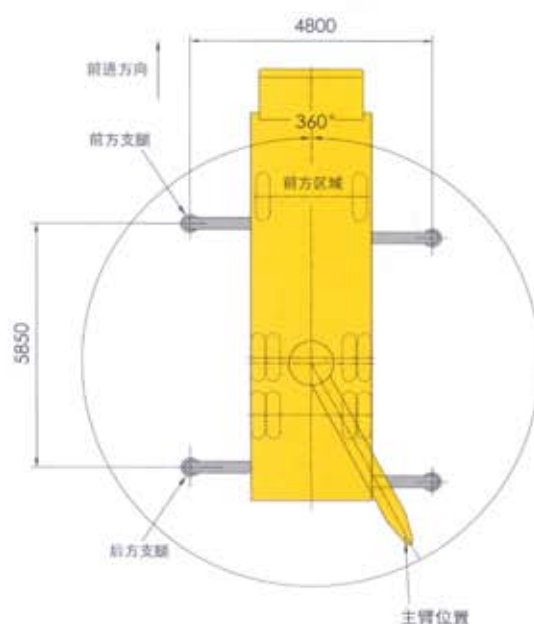


工作幅度 Working radius(m)
▲ 起升高度曲线(半伸支腿)
Crane Lifting Height Curves (Outrigger half extend)

QY30K5 起重机工作区域划分图 QY30K5 Working area



▲ 工作区域划分图(全伸支腿)
Crane Working Area (Outrigger fully extend)



▲ 工作区域划分图(半伸支腿)
Crane Working Area (Outrigger half extend)

QY30K5全液压汽车起重机主要特点

- ◆ 整机外观造型和谐流畅，美观精致，上下车协调统一。
- ◆ 采用自制专用汽车起重机底盘，配置了大功率环保型发动机，大大提高了整机行驶性能。
- ◆ 采用五节八边形大圆角伸缩式吊臂，起重性能强大，各项指标均为国内领先。
- ◆ 车架采用大箱型结构，抗扭能力强；支腿跨距大，作业稳定性好。
- ◆ 该产品具有支腿半伸、臂端滑轮等多种工况，拓展了使用作业范围。
- ◆ 采用国际上最新吊臂技术，流线型臂头结构，嵌入式滑块，有效增加吊臂搭接长度，减小吊臂下挠和旁弯。
- ◆ 作业效率高：主起升采用变量系统，可实现重载低速、轻载高速，节能高效，变幅、伸缩速度快，提高了作业效率。
- ◆ 完善的安全保护装置，配有全自动力矩限制器，过载和过卷保护装置，极大地提高了作业的安全性。
- ◆ 按人机工程学原理设计的两室，符合ISO标准。驾驶室为豪华型全头驾驶室，宽敞舒适，配有减震可调式司机座椅，可有效降低或抵消有害震动，减轻疲劳。操纵室大圆流线型造型，配有液晶显示监控器，各种作业状态一目了然。

QY30K5 FULL HYDRAULIC TRUCK CRANE

- ◆ Whole machine appearance is harmony and smooth, beautiful and fine, unification of upper and lower, and both practical and good looking.
- ◆ Self-made special truck crane chassis with strong power engine of environmental protection greatly improved overall travel performance.
- ◆ Five-section octagonal all-round telescopic boom has strong lifting capacity, and crane each technical index is advanced in domestic industry.
- ◆ Large box type frame has high torsion resistance, and wide outrigger span improve operation stability.
- ◆ Various operating modes such as fully/half outrigger and single top, etc. extend the use of crane operation.
- ◆ World advanced and newly designed boom system, streamlined boom head and built-in slider efficiently increase boom section joint length and reduce boom lower deflection and side bending.
- ◆ High work efficiency. The main winch uses dual variable displacement system to realize low speed for heavy duty and high speed for light duty, energy saving and high efficiency, and quick elevating and telescoping mechanisms improve work efficiency.
- ◆ Well-equipped safety protection device. The crane is equipped with automatic load moment limiter, overload and over-winding cutout device, which have raised the safety for crane operation.
- ◆ Ergonomically designed two cabs are accord with ISO standard, and air-conditioner in crane superstructure and carrier. The driver's cab is luxury full-width cab, spacious and comfortable, equipped with shock-absorption adjustable seat for reducing harmful shake and easing driver's tiredness. The operator's cab is mounted at right side, all-round streamlined shape, and equipped with LC display monitor for a clear glance of all operation.



徐工集团徐州重型机械有限公司

地址：中国江苏徐州市铜山路165号
 Add: No. 165 Tongshan Road Xuzhou Jiangsu China
 电话(Tel): 0516-83462242 83462350
 传真(Fax): 0516-83461669
 邮编(Post Code): 221004
 网址(URL): <http://www.xzxc.com.cn>
 E-mail: yx@xzxc.com.cn
 服务电话(Service Tel): 0516-83461183
 服务传真(Service Fax): 0516-83461180
 质量监督电话(Quality Inquiry Tel): 0516-87888268
 备件电话(Spare Parts Tel): 0516-83461542



3C强制性产品认证证书 职业安全健康管理体系认证证书 环境管理体系认证证书



国家一级企业证书 ISO9001质量管理体系认证证书 ISO10012计量体系认证证书